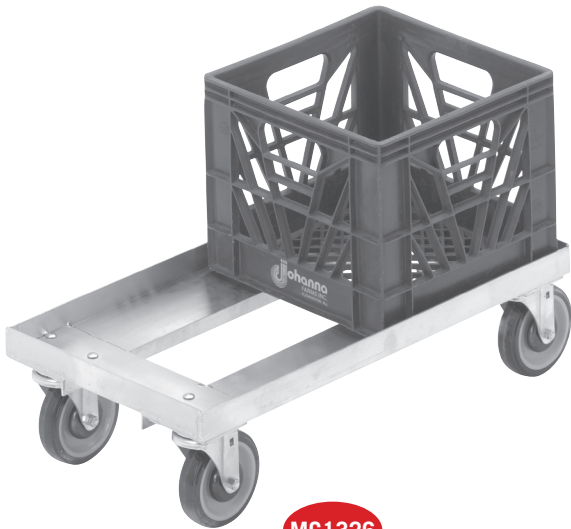


GRD



MC1326

Item No. _____

Quantity _____

Job Name _____

Spec No. _____

DOLLIES

GLASS RACKS / MILK CRATES

ALUMINUM CONSTRUCTION

Custom Sizes Available

Model	Racks/Crates	H	W	D	Weight
GLASS RACK DOLLY					
GRD	1-20x20	7½"	22"	22"	14
GRD2	2-20x40	7½"	44"	22"	20
MILK CRATE DOLLY					
MC1313	1-13x13	7½"	14¼"	14¼"	14
MC1326	2-13x13	7½"	14¼"	27¼"	16
MC1319	1-13x19	7½"	14¼"	20¼"	15
MC1338	2-13x19	7½"	27¼"	20¼"	17

Options:

- /052 5" x 2" Caster Upgrade
- /5B Heavy Duty Caster Brakes (2)
- /011 Caster Brakes (set of 2)
- /022 Corner Bumpers (set of 2)
- /PH10 Pull Hook

APPLICATIONS: Mobile aluminum dollies for storage and transport of glass racks or milk crates.

CONSTRUCTION: Heavy duty, high tensile extruded aluminum. Lifetime guarantee against rust. Shipped fully assembled and ready for use.

CASTERS: Standard 5" full swivel non-marking casters. Casters are securely bolted to frame to facilitate replacements.



Notes

55 Channel Drive • Port Washington, NY 11050-2216
 8891 NW 102nd Street • Medley, FL 33178
 Tel: 516-944-6271 • Fax: 516-944-0625
 Toll Free: 866-712-7283
 www.channelmfg.com • Email: sales@channelmfg.com